

# **SUBARU**<sup>®</sup>

*INSTALLATION  
INSTRUCTIONS*

## **SECURITY SYSTEM UPGRADE IMPREZA P/N: H7110SS100**

This device complies with FCC rules part 15. Operation is subject to the following two conditions: (1) this device may not cause harmful interference and (2) this device must accept any interference that may cause undesired operation.

### **IMPORTANT:**

This system requires prior installation of Keyless Entry System. If installing both systems at the same time, install the Keyless Entry System first.

### ***Kit Contents:***







- Security Control Module with Integral Bracket ...X 1
- Starter Interrupt Relay and Horn Relay with Integral Bracket ...X 1
- Security Horn with Integral Bracket ...X 1
- Extension Harness 1m (3ft.) ...X 1
- M8 Flange Nut (For Install Security Horn) ...X 2
- M8 Flange Bolt (For Install Relay Bracket) ...X 1
- Window Decal ...X 2
- Wire tie ...X 2
- Installation Manual ...X 1

### ***Preparation Tools:***

- Phillips Head Screwdriver (+)
- Ratchet Wrench with 10 and 12mm Socket
- Torque Wrench

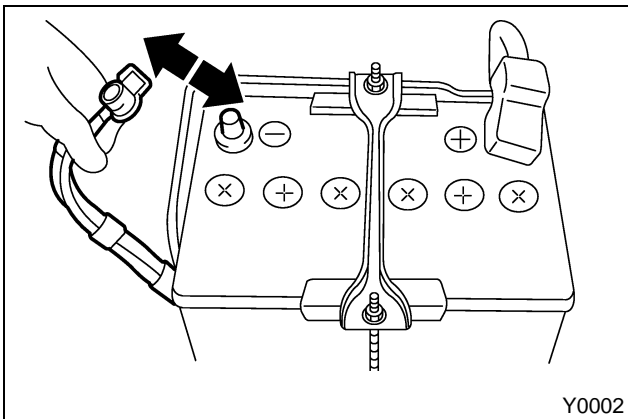
# A. Installation

## Meaning of Characters:

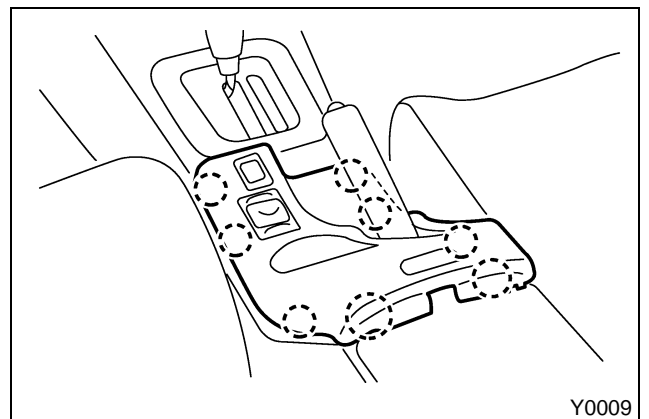
-  : Remove
-  : Install
-  : Disconnect
-  : Connect
-  : Location of Clip or Screw
- T** : Tightening Torque
-  : Loosen

Y0008

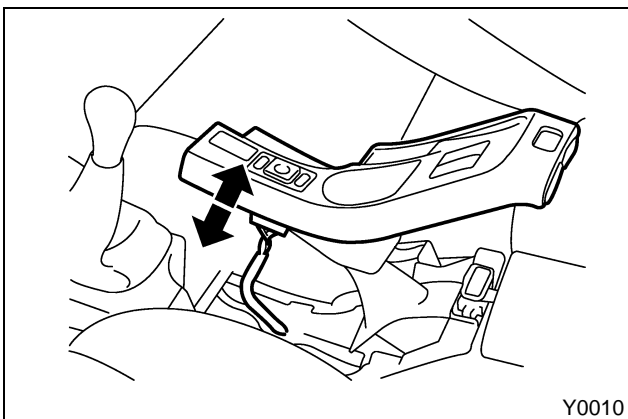
1.



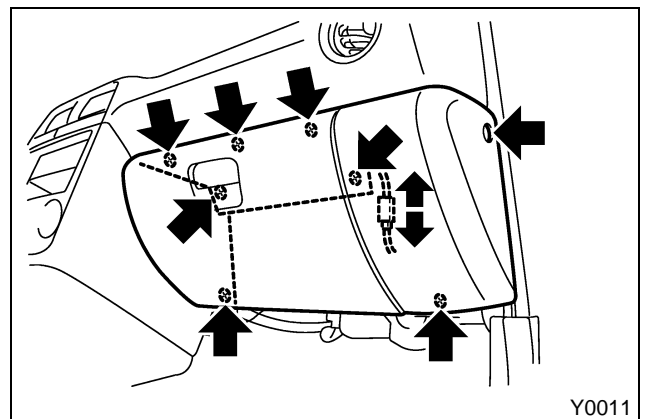
2.



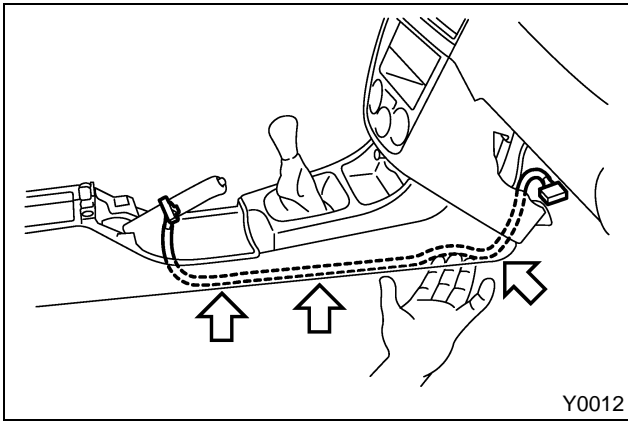
3.



4.

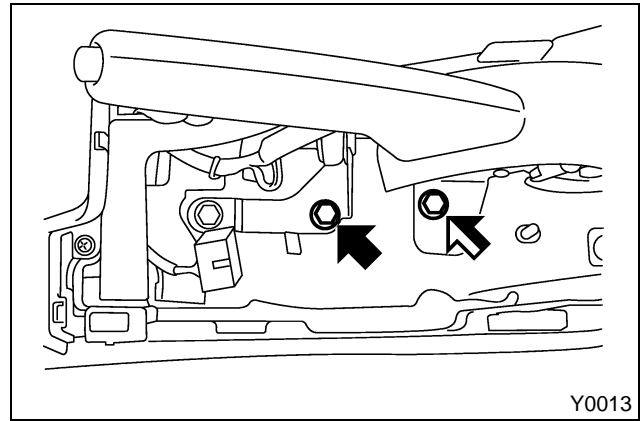


5.



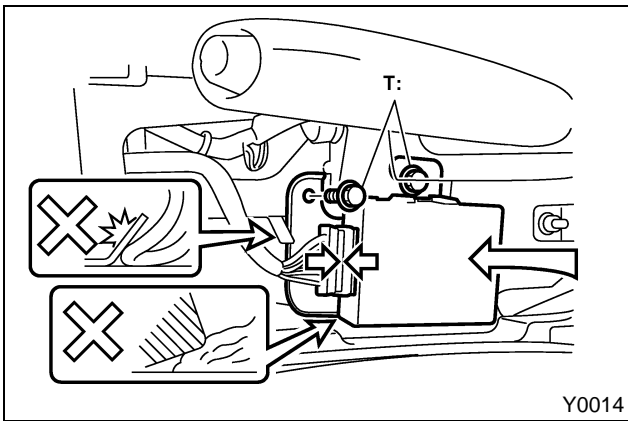
Y0012

6.



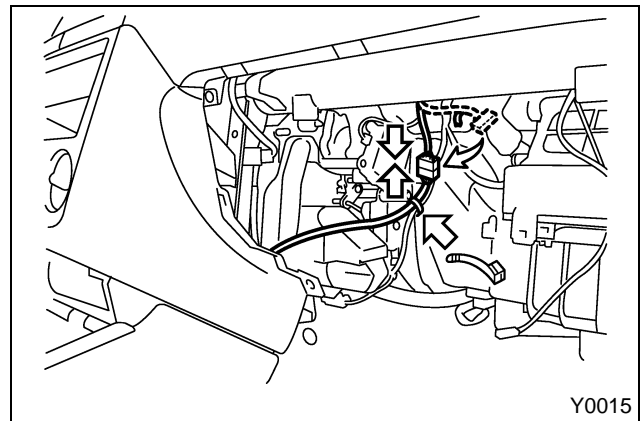
Y0013

7.



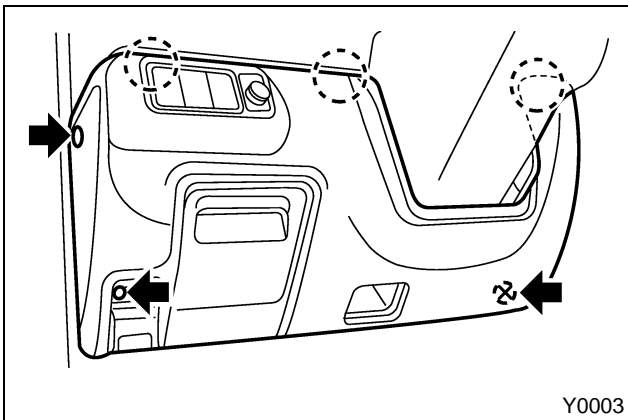
Y0014

8.



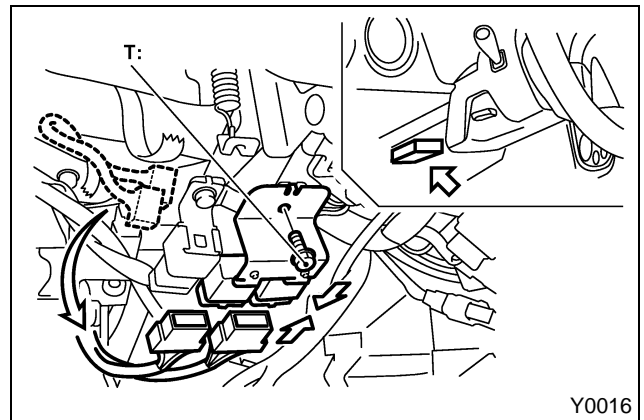
Y0015

9.



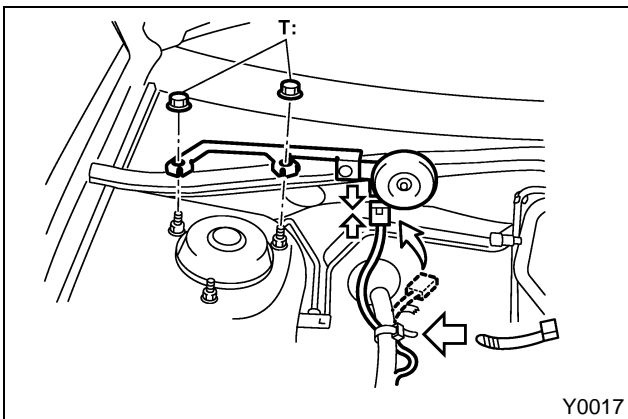
Y0003

10.



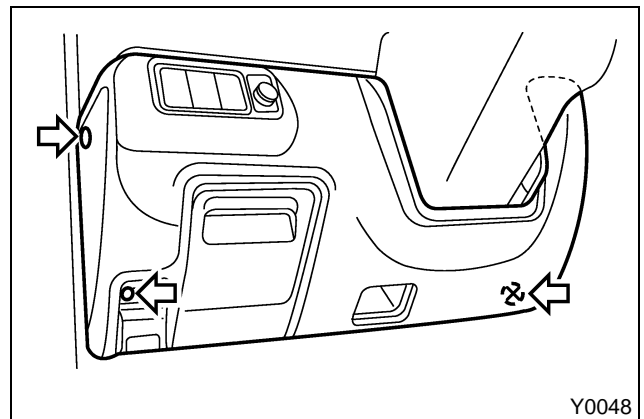
Y0016

11.



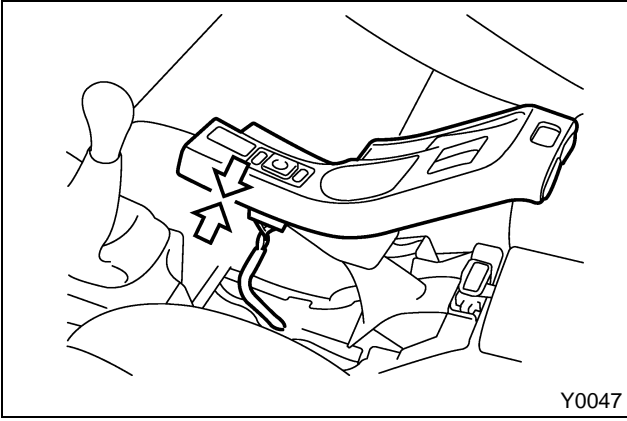
Y0017

12.



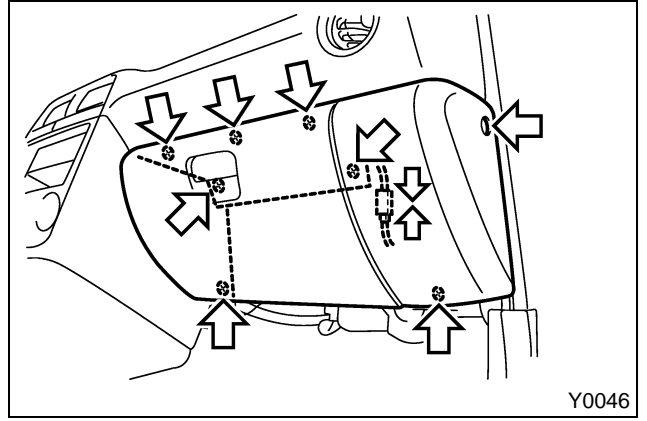
Y0048

13.



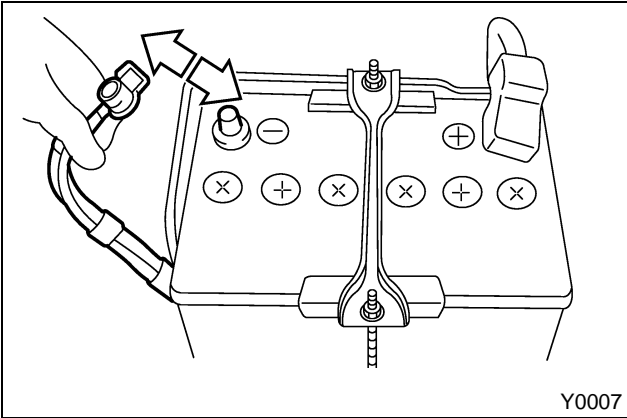
Y0047

14.



Y0046

15.



Y0007

## B. System Test

1. Exit the vehicle and close all doors, rear gate (wagon) and trunk lid (sedan).
2. Depress the LOCK/ARM button on the remote and the following should be observed:
  - a. All doors and rear gate (wagon) will lock.
  - b. The parking lights will flash once and the horn will chirp once.
  - c. Status indicator (LED) will begin to flash 1x per 2 seconds.
3. Wait 5 seconds then depress the UNLOCK/DISARM button on the remote and the following should be observed:
  - a. The driver's door will unlock.
  - b. The parking lights will flash twice and the horn will chirp twice.
  - c. The status indicator (LED) will stop flashing.
4. Wait 5 seconds then depress the UNLOCK/DISARM button on the remote and the following should be observed:
  - a. All doors and rear gate (wagon) will unlock.
5. Depress the LOCK/ARM button on the remote to enter the armed mode.
6. Wait 5 seconds then, using the key, open a door or the rear gate (vehicle hood is not protected) and the following should be observed:
  - a. The horn will start to sound 1x per second.
  - b. The parking lights will flash 1x per second.
  - c. The status indicator (LED) will begin to flash 2x per second.
7. With the alarm sounding, attempt to start the engine. The engine should not start.
  - a. If the engine starts, ensure that the starter interrupt relay is properly installed.

## C. Valet Mode Test

1. Open the driver's door and then depress and hold the UNLOCK/DISARM button on the remote for more than two seconds and the following should be observed:
  - a. The status indicator (LED) will begin flashing 2x per second indicating that the alarm is in the valet mode.
2. Close all doors and rear gate (wagon).
3. Depress the LOCK/ARM button on the remote and the following should be observed:
  - a. All doors and rear gate (wagon) will lock.
  - b. The horn will chirp once.
  - c. Parking lights will not flash.
  - d. The status indicator (LED) will continue to flash 2x per second indicating that the alarm is in the valet mode.
4. Wait 5 seconds then, using the key, open a door or the rear gate (wagon) and THE ALARM SHOULD NOT TRIGGER.
5. Depress the UNLOCK/DISARM button and the driver's door should unlock.
6. Open the driver's door and then depress and hold the UNLOCK/DISARM on the remote for more than 2 seconds and the following should be observed:
  - a. The status indicator (LED) will stop flashing indicating that the alarm is now out of valet mode and has returned to normal operation.
  - b. All doors and rear gate (wagon) will unlock.

## D. Shock Sensor Test

1. Lower the driver's side window then close all doors, rear gate (wagon) and trunk lid (sedan).
2. Depress the LOCK/ARM button on the remote to enter the armed mode.
3. Wait 5 seconds, then reach through the window and lightly strike the rim of the steering column (DO NOT hit the horn or AIR BAG!) and the following should be observed:
  - a. The horn will chirp 2 times.
  - b. The parking lights will flash 2 times.

### NOTE:

**This is shock sensor warning mode. For light vibrations and/or impacts, only warning chirps are delivered.**

4. Wait 10 seconds, then again reach through the window and firmly strike the rim of the steering column (DO NOT hit the horn or AIR BAG!) and the alarm should trigger.

### NOTE:

**If shock sensor sensitivity is too high or too low, the sensitivity may be adjusted by following the procedure section F.**

5. Depress the UNLOCK/DISARM button on the remote transmitter to deactivate.

## E. Notes on System Operation

1. If the alarm is not deactivated within 30 seconds of triggering, the system will automatically reset.
2. The hood is not protected as a part of this system and therefore will not cause a triggering of the alarm when open unless sufficient force is used in which case the shock sensor will trigger the alarm.
3. When accessing Valet mode, be sure to open the driver's door in order for the feature to function properly.
4. The shock sensor has two levels, warning and alarm. In warning mode (light shock) the alarm will not trigger but instead will give two horn chirps and two light flashes. This is a feature of the system and is not to be regarded as a malfunction. Only in alarm mode (heavy impact) will the alarm be triggered.
5. The alarm will automatically reset after 30 seconds.
6. When deactivating, the system will indicate an alarm occurred during the armed cycle by the following:
  - a. The horn will chirp 4x.
  - b. The lights will flash 4x.
7. If any secured opening is open at the time of depressing LOCK/ARM on the remote transmitter, the horn will chirp 3 times indicating that all openings have not been properly closed. Upon closing, all doors and rear gate will lock automatically.

## F. Shock Sensor Adjustment-ONLY IF REQUIRED

The factory has preset the sensitivity of the shock sensor at the time of manufacture. Under normal circumstances the sensitivity should not require any adjustment and should be left untouched. However, in the unlikely event that adjustment is required, please follow the steps outlined below.

1. Carefully remove the seal covering the shock sensor adjustment hole on the top of the security control module.
2. Using a #0 flat-tip screwdriver, CAREFULLY AND GENTLY adjust the sensitivity.  
CW (clockwise) – INCREASES sensitivity  
CCW (counterclockwise) – DECREASES sensitivity
3. With each adjustment of the control, repeat section F. Shock Sensor Test, to determine if the desired sensitivity has been reached.

### **⚠ CAUTION:**

**DO NOT make the sensitivity of the unit overly sensitive. Too high a sensitivity setting will result in false alarms and provides no relative increase in the overall measure of security.**

4. Upon completion of the sensitivity adjustment, place a small piece of electrical tape over the sensitivity adjustment hole to prevent dust and/or other foreign material from entering the unit.

## G. Finishing the Installation

Place the window decals on the inside of the rear passenger windows at the lower-front edge of each window. The bottom edge of the decal should be one (1) inch from the bottom of the window, and the front edge of the decal should be one (1) inch from the front of the window. Make sure that the window is clean and the decal is square and straight before adhering to the window.

**Installation is now complete.**