

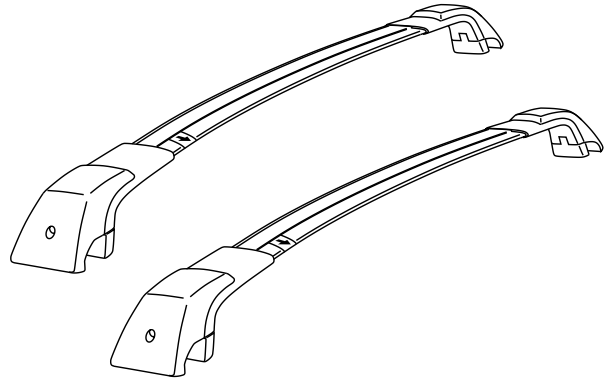
SUBARU

INSTALLATION
INSTRUCTIONS

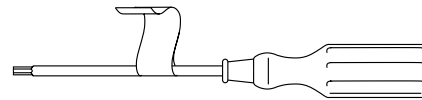
CROSSBAR KIT FOR FORESTER ROOF RAILS E361SSA000

Kit Contents

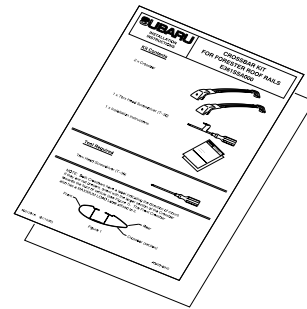
2 x Crossbar



1 x Torx Head Screwdriver (T-30)

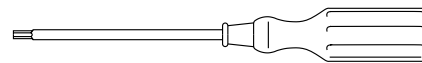


1 x Installation Instructions



Tool Required

Torx Head Screwdriver (T-30)



NOTE: Both Crossbars have a label indicating the direction of mount. If they are not present, orient with the larger section of the Crossbar towards the front of vehicle (see Figure 1). The Front Crossbar also has a MAXIMUM LOAD Label affixed to it.

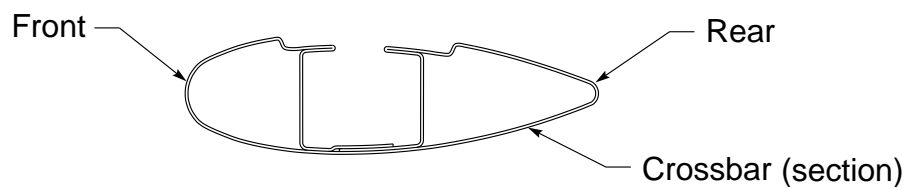


Figure 1

