

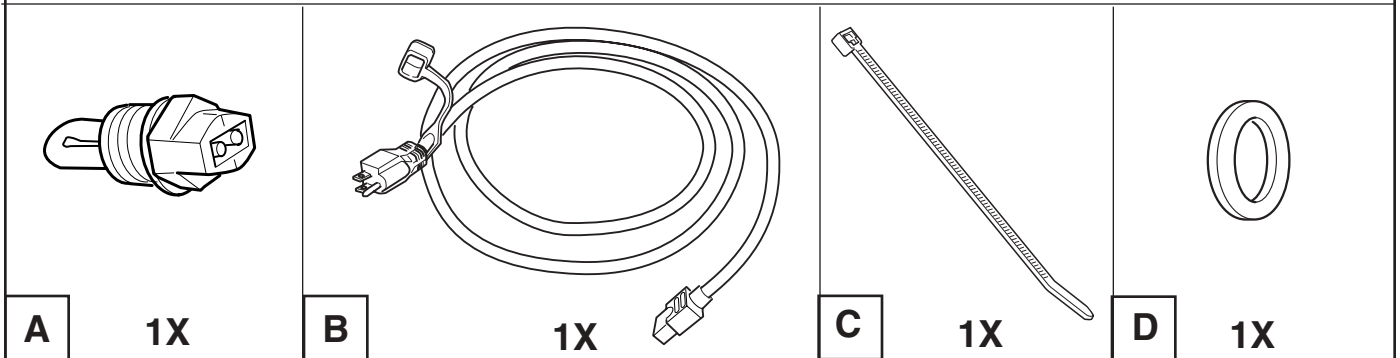
# SUBARU®

## Installation Instructions

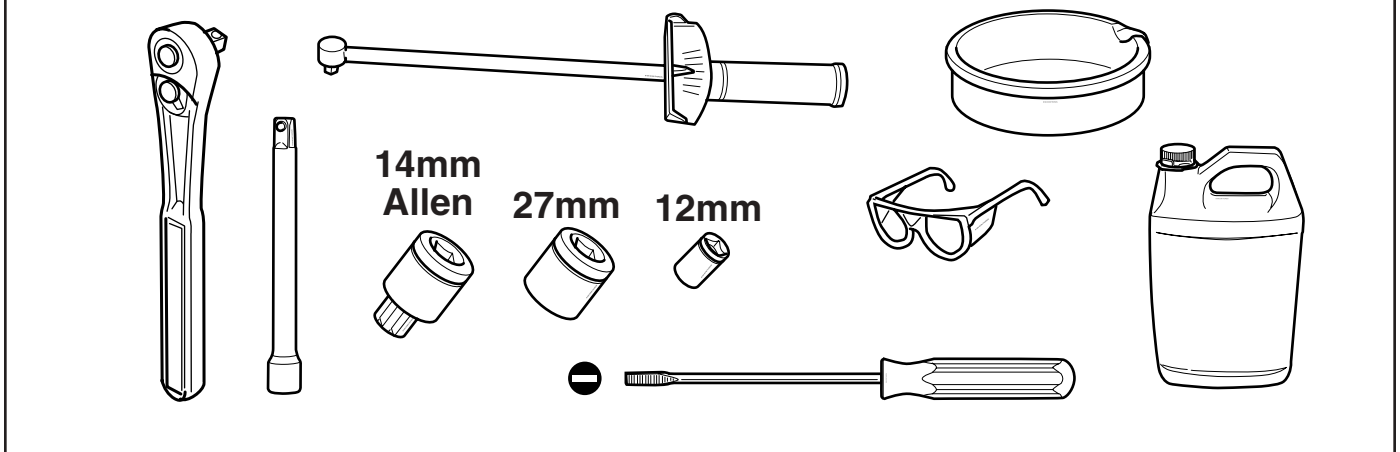
### Engine Block Heater

P/N: A0910AS000

#### Kit Contents:



#### Preparation Tools:

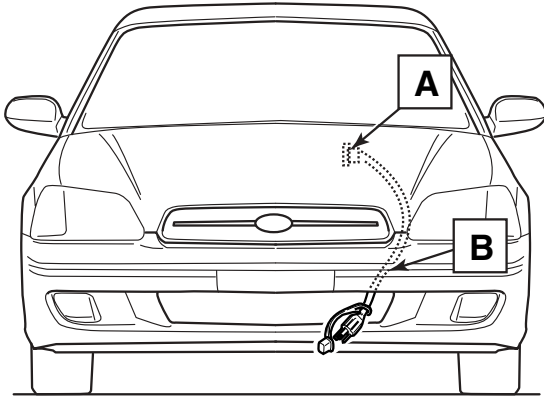


#### Meaning of Characters:

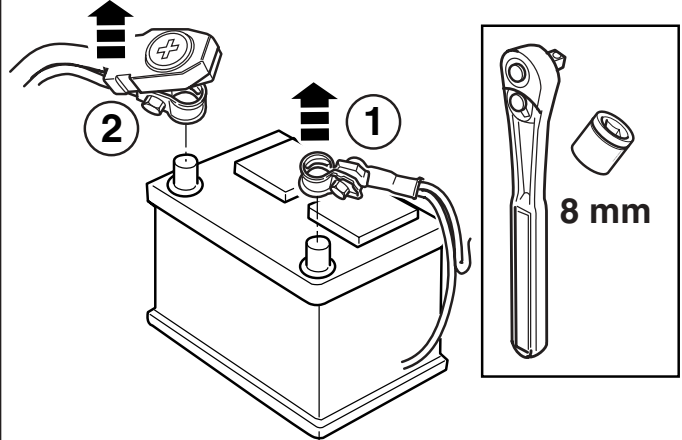


# Installation:

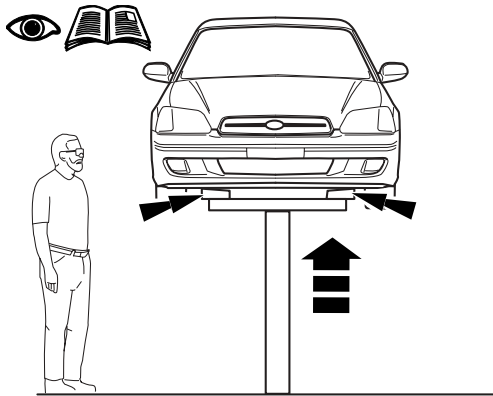
1



2

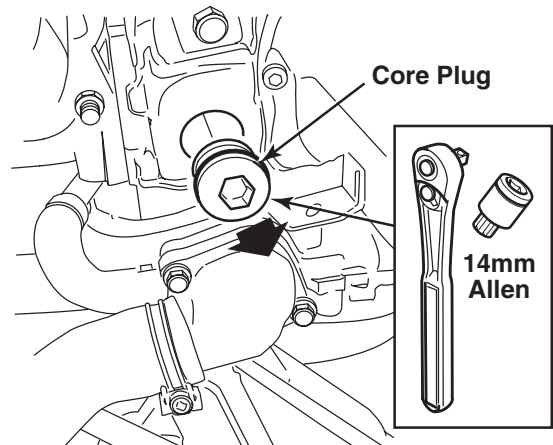


3



5

Remove 36mm core plug in the left bottom front of the engine block with a 14mm Allen socket and drain cooling system.

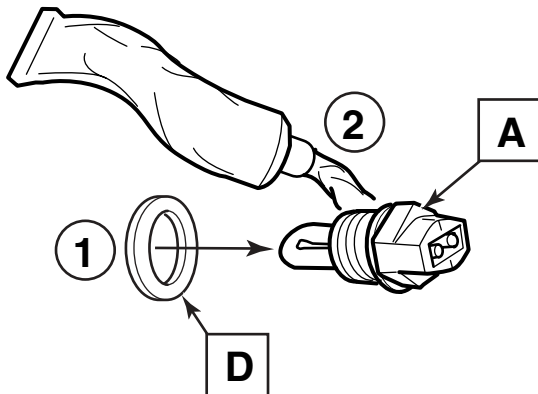


4

**ELEMENT INSTALLATION:**  
Remove the engine underguard if applicable

6

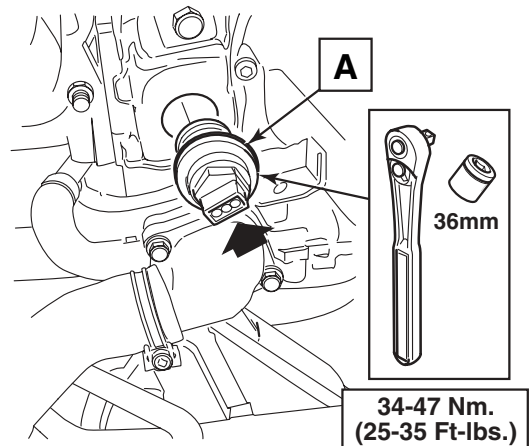
Coat the threads of the heater element with high temperature gasket compound and install insuring that the heater gasket is in position.



7

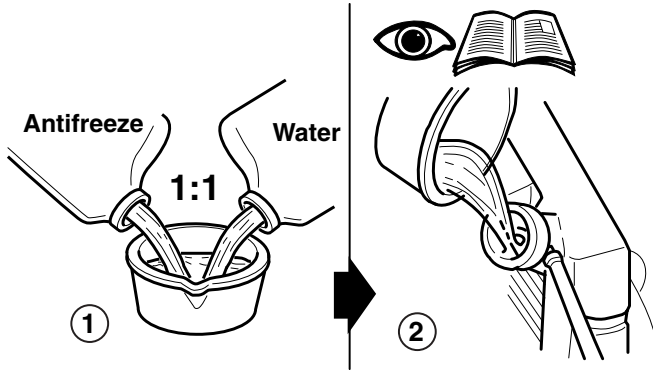
Tighten the heater element to the following installation torque:

**34 - 47 Nm (25 - 35 Ft-Lbs.)**



8

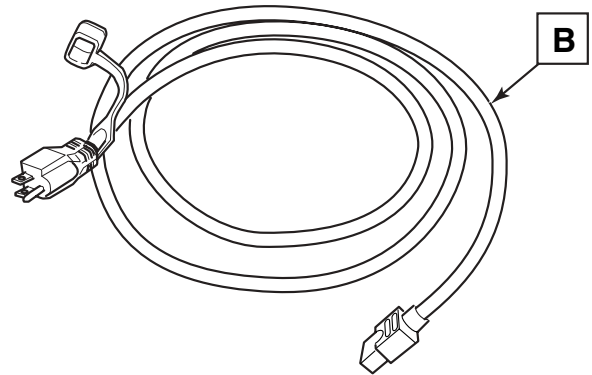
Refill cooling system and operate engine, checking installation for leakage.



**CAUTION:** When refilling after draining coolant open the “bleeder plug” to prevent air pockets. Refer to Owner’s Manual for correct procedure.

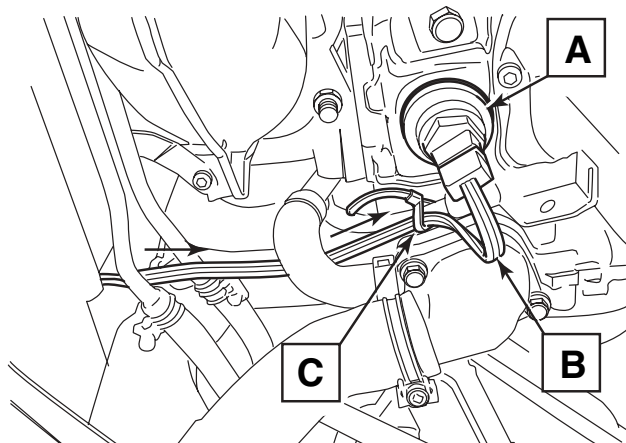
9

**POWER CORD ROUTING:**  
Route Cord through the plug protector and secure to the lower grill bumper



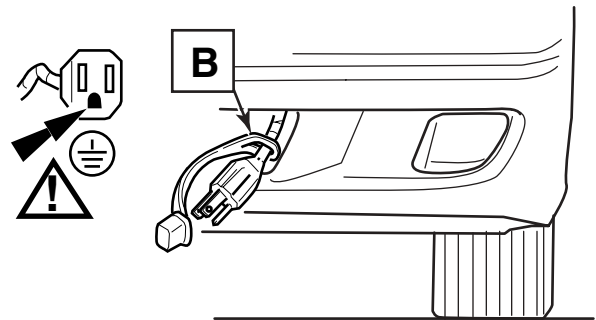
10

Feed the cord over the dipstick tube bracket, which is welded to the oil pan and secure with a tie-wrap. Plug the connector into the heater element.



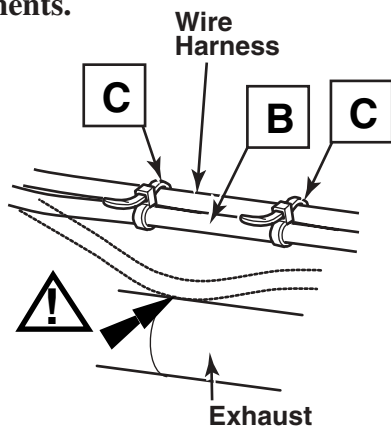
11

Route cord through an opening in the lower LH. or R.H. side of the bumper grille using the heater element plug-in end.



12

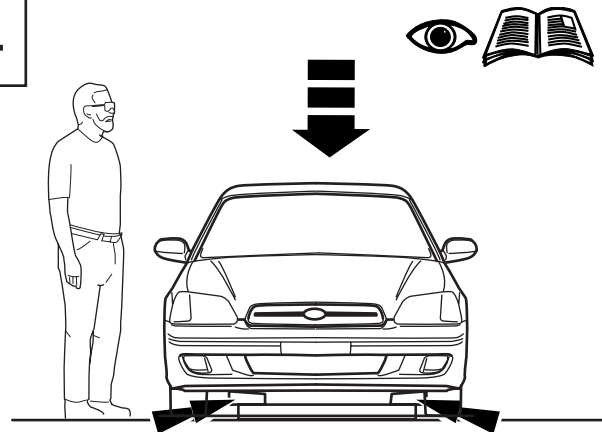
Secure cord to the wire harness with two tie-wraps. **NOTE: Ensure that the cord does not hang below the vehicle and does not contact the exhaust components.**



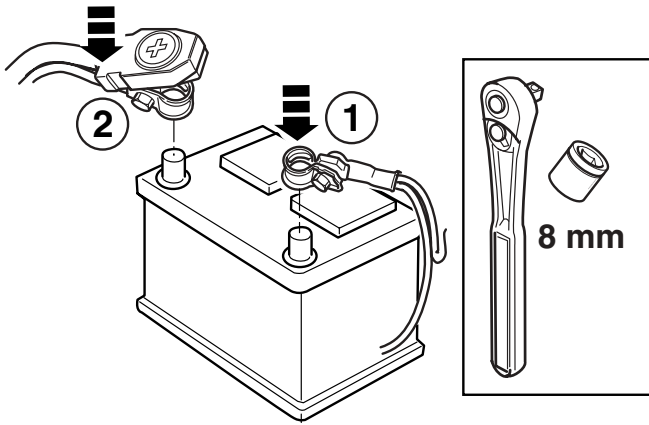
13

Re-install engine underguard in reverse order of removal.

14



15



16

**WARNING**

Before connecting heater to power source, make certain element is immersed in coolant. NEVER energize heater in air. If so energized, element sheath could burst causing personal injury.